

# 1D-COUPLING

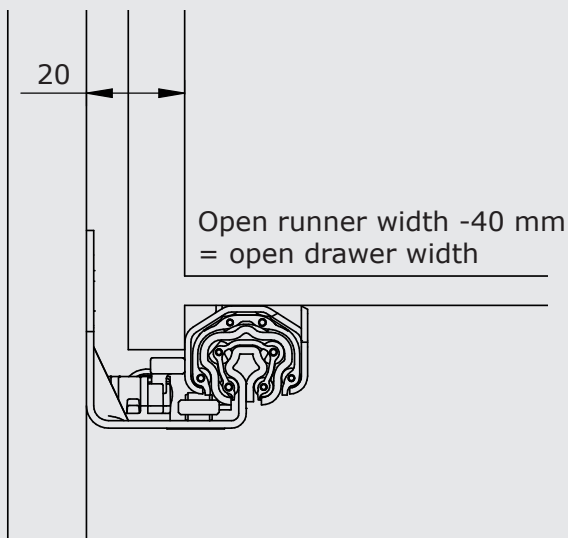
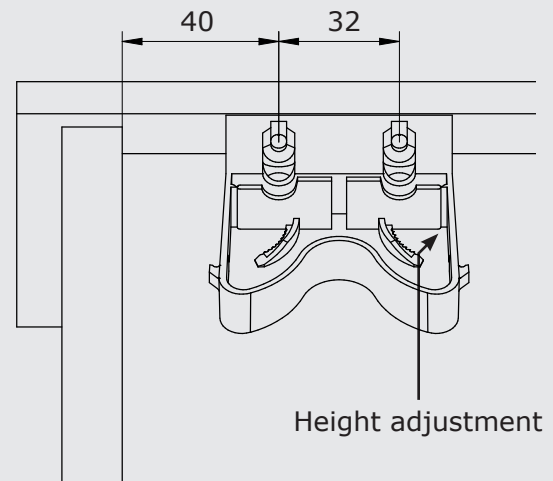
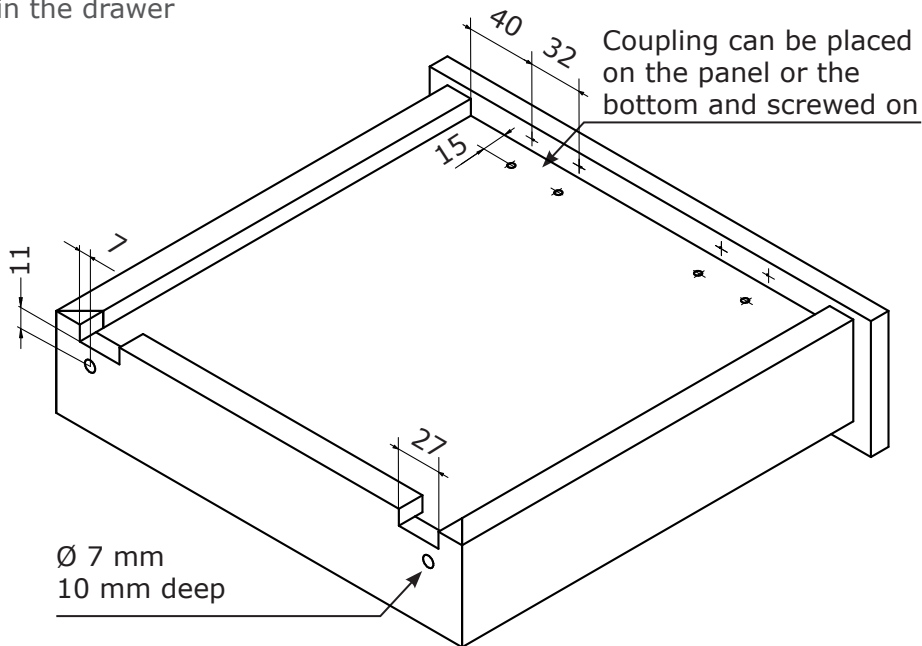
Assembly instruction for  
full extension slide EXTREME



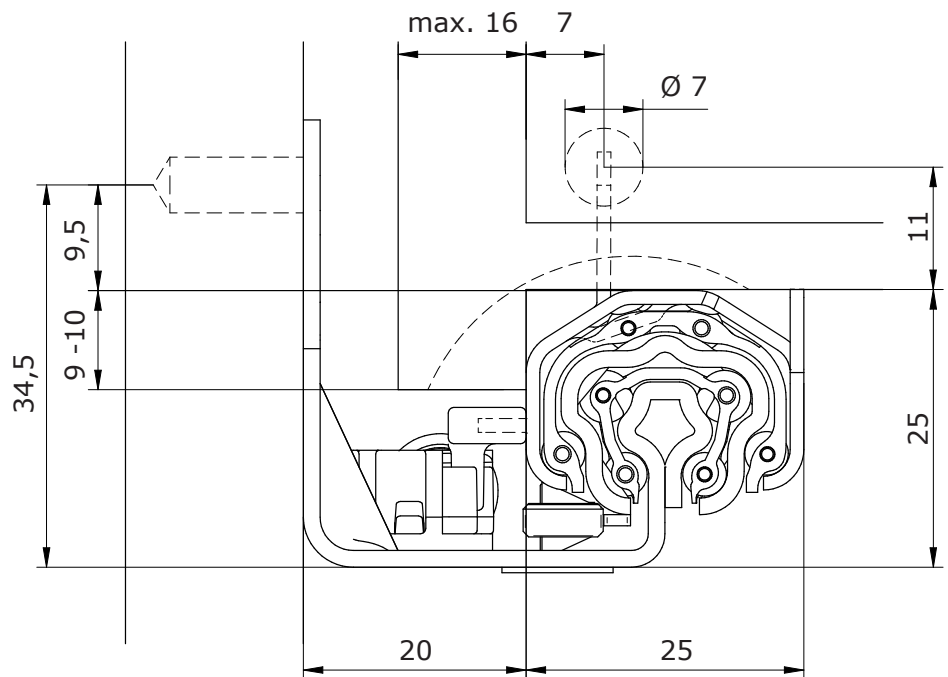
View PDF

# 1D-COUPLING

Drillings and punch-outs in the drawer



Installation dimensions



## 1D-coupling for EXTREME

The 1D-coupling for EXTREME is adjustable for height and allows a precisely fitting installation. The new coupling variant makes the mounting and demounting of drawers quick and easy. Fast, simple and toolless achieving of a perfect front panel alignment.

You can find the matching assembly video on our YouTube channel.



Video