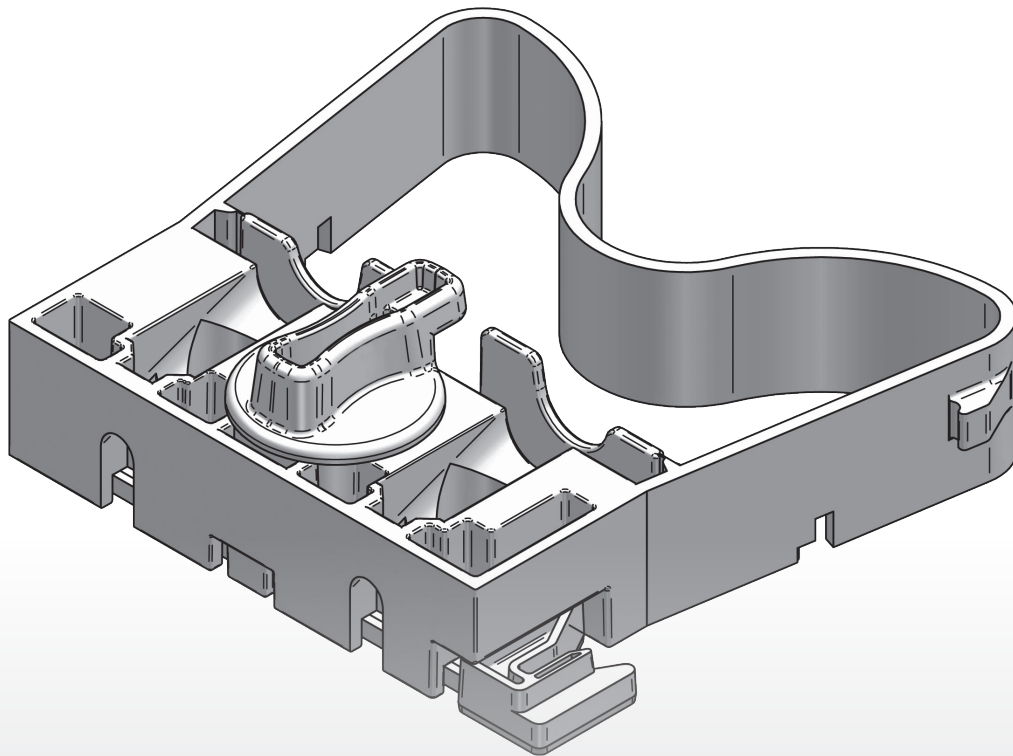


REME



Leadership quality for furniture

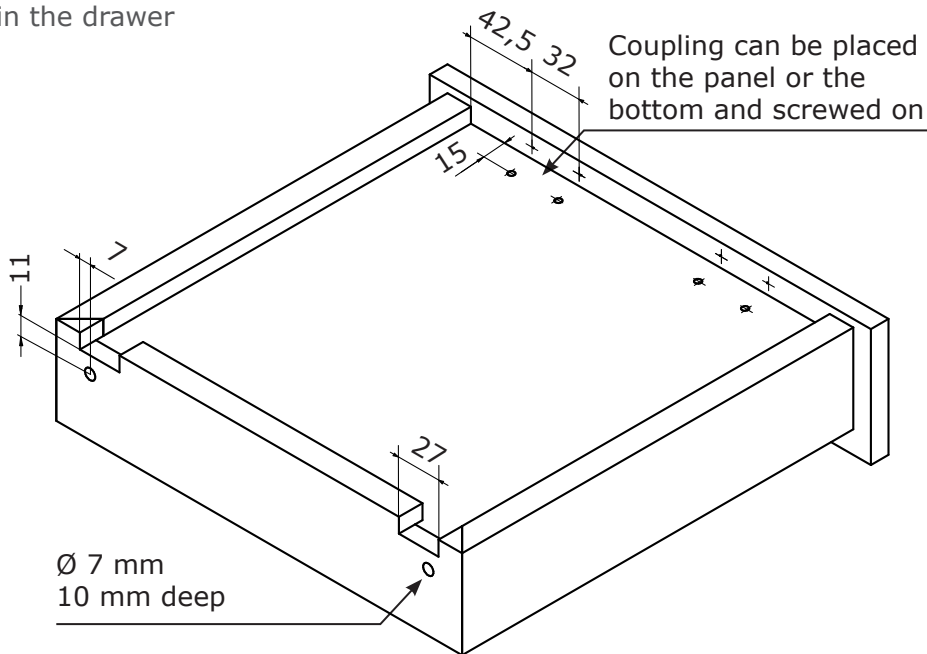


2D COUPLING

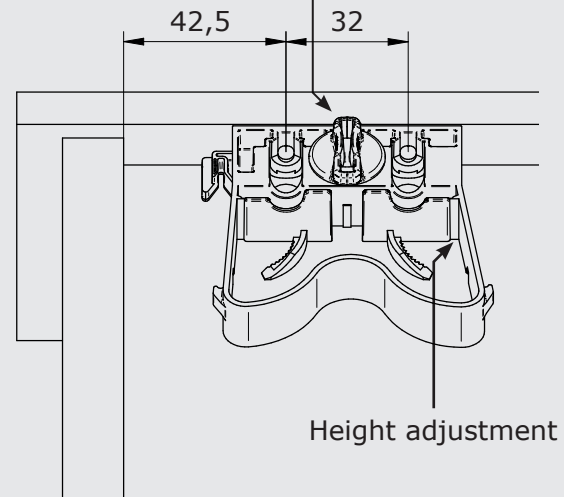
assembly instruction

2D COUPLING

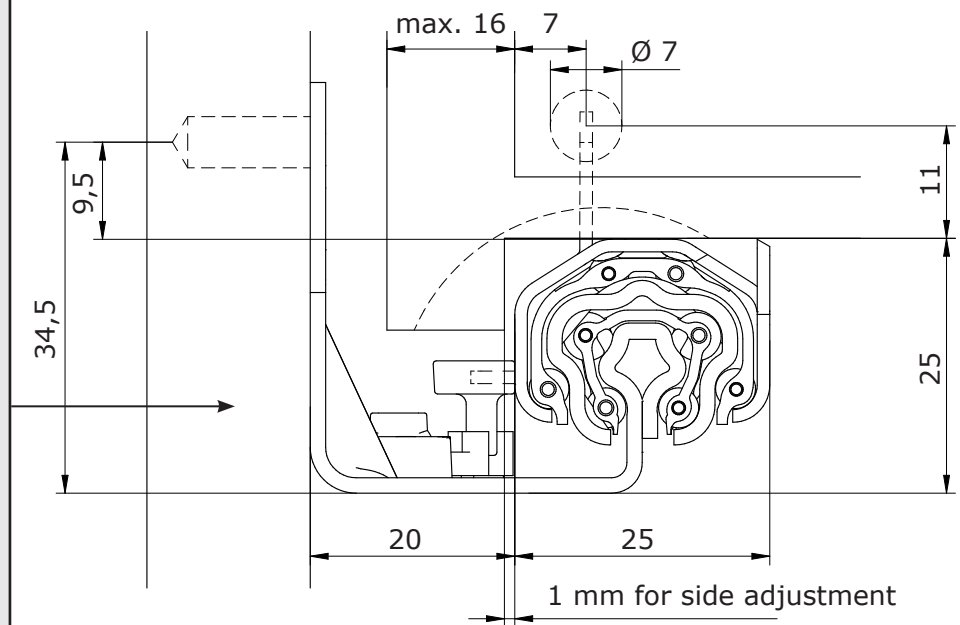
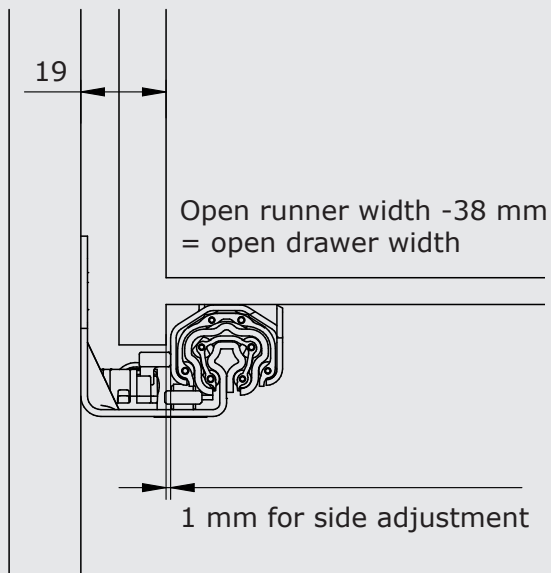
Drillings and punch-outs in the drawer



Side adjustment in zero position



Installation dimensions



2D Coupling

The 2D coupling is adjustable for height and laterally and compatible with the REME concealed runners EXTREME and PERFECT. The new coupling variant makes the mounting and demounting of drawers quick and easy. Fast, simple and toolless achieving of a perfect front panel alignment.